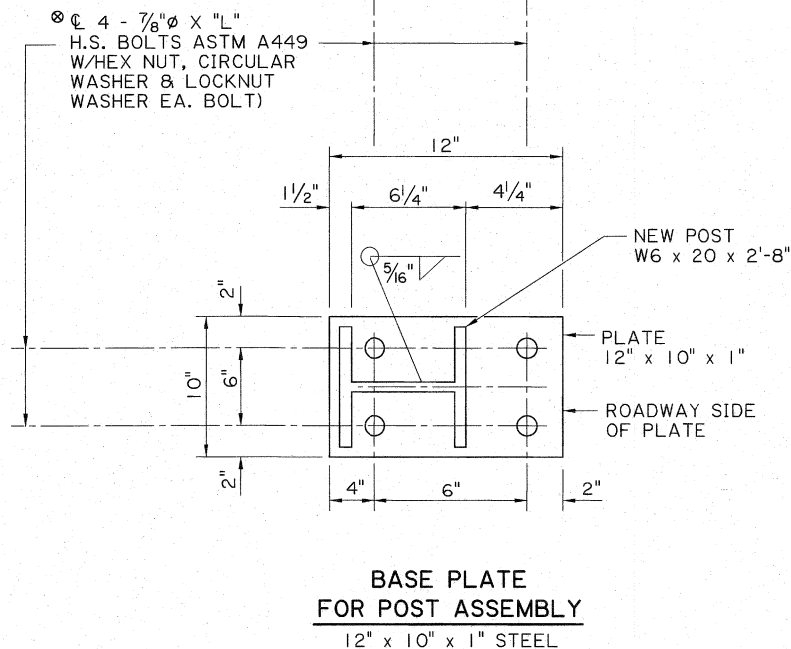


FOR INFORMATIONAL PURPOSES ONLY



⊗ BOLTS LENGTH TO BE FIELD MEASURED AND ADJUSTED BASED ON ACTUAL DECK THICKNESS. SUBMIT TO DOTD BRIDGE DESIGN ENGINEER FOR REVIEW BEFORE INSTALLATION

NOTES

ALL HARDWARE INVOLVED SHALL BE REPLACED BY NEW HARDWARE.

FOR ADDITIONAL INFORMATION ON GUARD RAIL, SEE STANDARD PLANS FOR HIGHWAY GUARD RAIL (MASH).

ALL STRUCTURAL STEEL, POST AND PLATES, SHALL BE ASTM A-36 AND GALVANIZED. ALL 5/8" Ø BOLTS SHALL BE ASTM A307.

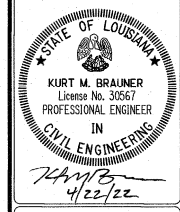
• THE BOLTS IN THE GUARD RAIL SHALL BE LOCATED ON THE ONCOMING FLANGE TRAFFIC SIDE.

ALTHOUGH ITEM 704-01-01020 CALLS FOR 6'-3" MAX. POST SPACING, THE NEW POST FOR EXISTING PRECAST BRIDGES SHALL BE INSTALLED AT THE SAME LOCATION AS THE OLD ONES. ALL GUARD RAIL SPLICES SHALL BE MADE AT POST LOCATIONS ONLY.

ALL WORK AND MATERIALS REQUIRED TO INSTALL THE NEW GUARD RAIL SHALL BE PAID FOR UNDER ITEM 704-01-01020 GUARD RAIL (SINGLE THRIE BEAM) (6'-3" POST SPA.) PER LIN. FT.

THIS DETAIL WAS DEVELOPED AND APPROVED FOR USE UNDER NCHRP REPORT 350. AS PER LADOT'S MASH IMPLEMENTATION POLICY, ITS CONTINUED USE IS ALLOWED WHILE A MASH ALTERNATIVE IS DEVELOPED OR EVALUATED.

SHEET NUMBER		PARISH		CONTROL SECTION		STATE PROJECT	
P. FOSSIER	C. GAUDRY	J. DOUCET	P. FOSSIER	K. BRAUNER			
DESIGN CHECK	DETAIL CHECK	REVIEW	SERIES #				



APPROVED BY CHIEF ENGINEER:
Christy P. Hayes
 DATE: 5/3/2022



GUARD RAIL REHABILITATION (FLAT DECK PRECAST BRIDGES)

STANDARD PLAN

GRR-09

DOTD
 LOUISIANA DEPARTMENT OF TRANSPORTATION & DEVELOPMENT

BRIDGE AND STRUCTURAL DESIGN